



Features

1. Myster MYM3110 can be combined with any type of existing electrode to measure continuous levels.
2. This can measure the level of any type of liquid including oil and water.
3. The sensor portion does not contain an electronic circuit, so a probe for high temperature or pressure can be easily fabricated.
4. The influence from the electrostatic capacity of the cable is negligible, so contraction is also easy.
5. Zero and span adjustments can be correctly and easily set by anyone using the digital switches and volumes.

Converter **MYM3100** Series Model/Code Table

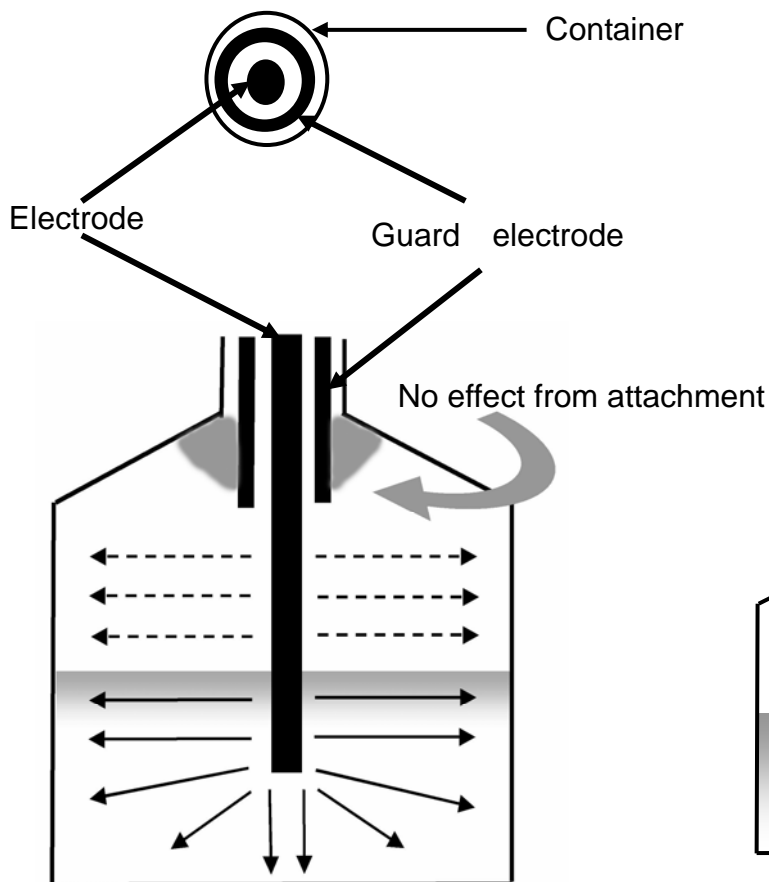
Example) MYM31 | 1 | 0

Specification Code		Remarks
MYM31		
Measurement range	1	0.25 μ S~12 μ S Oil: 1~30m
	2	10 μ S~500 μ S Water: 0.1~0.6m
	3	400 μ S~25000 μ S Water : 0.5~30m
	0	Not used
Power voltage	Blank	AC 100V
	*	-2 AC 200V
	*	-5 DC 24V

Items with * mark are semi-standard goods and may take a while for delivery.

Measurement principle

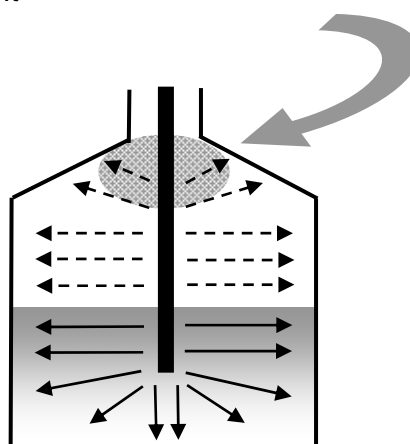
Viewed from above the electrode



Electromagnetic radiations are lined up finely in parallel, and not affected by the attachments in the upper portion.

In case of electrostatic capacity type

The most sensitive area with high density of electrode.
(Effect from attachment is large)

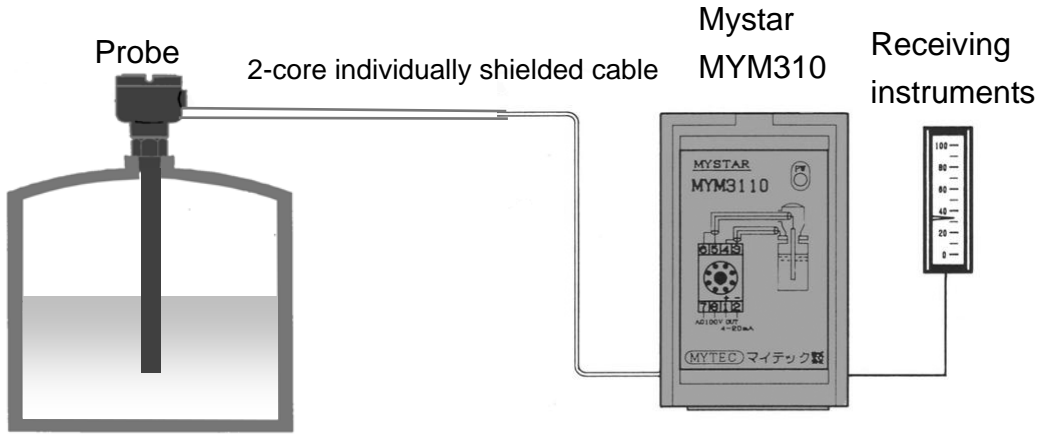


Electromagnetic radiations are extremely dense at the isolated section and the neck of the container.
Effect from attachments in the upper portion is large.

Specifications

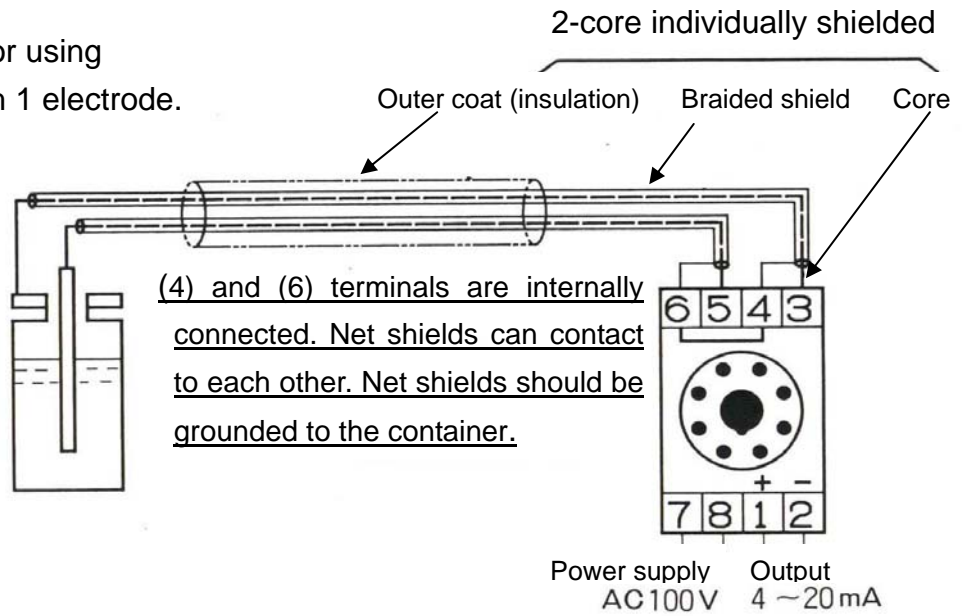
Type	MYM3110(For Oil)	MYM3120(Compound liquid)	MYM3130(For Water)
Measurement range(oil)	1~30m		
(Water)	1~20m(using coated electrode)	10~60cm(using bare electrode)	0.5~30m (using bare electrode)
(Admittance)	0.25 μ S~12 μ S	10 μ S~500 μ S	400 μ S~25mS
(Capacitance)	10pF~2000pF	1.6nF~80nF	50nF~4 μ F
Output	4~20mA(Load resistance500 Ω or less)		
Linearity	\pm 1%		
Reproducibility	\pm 0.5%		
Power supply	AC100V, AC200V, \pm 10% Approx.2VA, DC24V Approx.2W		
Operating temperature	-20~+60°C		
Protective structure	IP30		
Weight	Approx.350g		

Combination

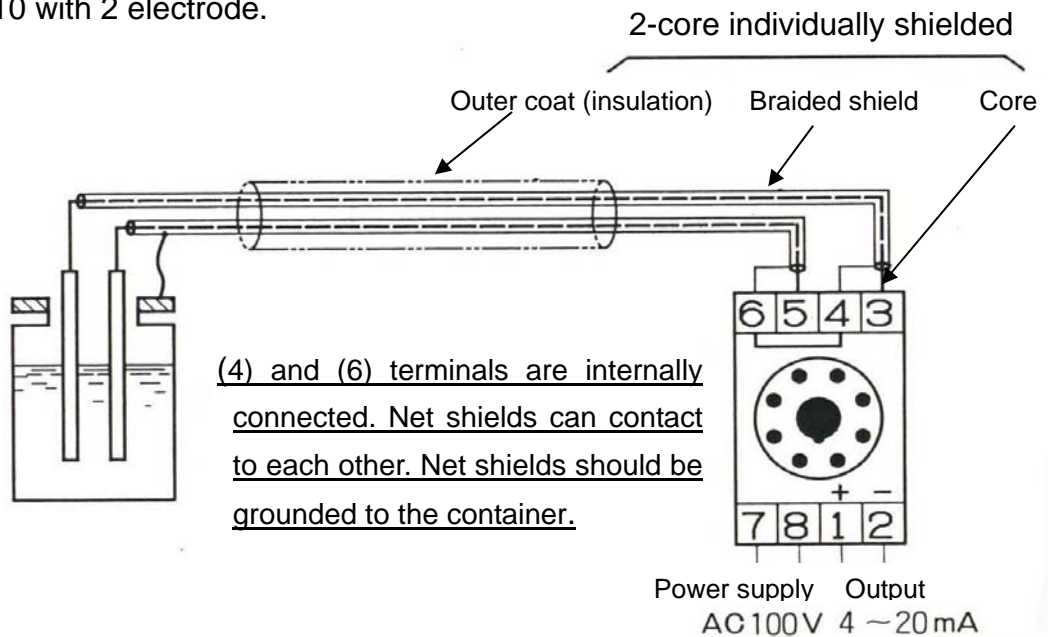


Connection

Connecting method for using Mystar MYM3110 with 1 electrode.

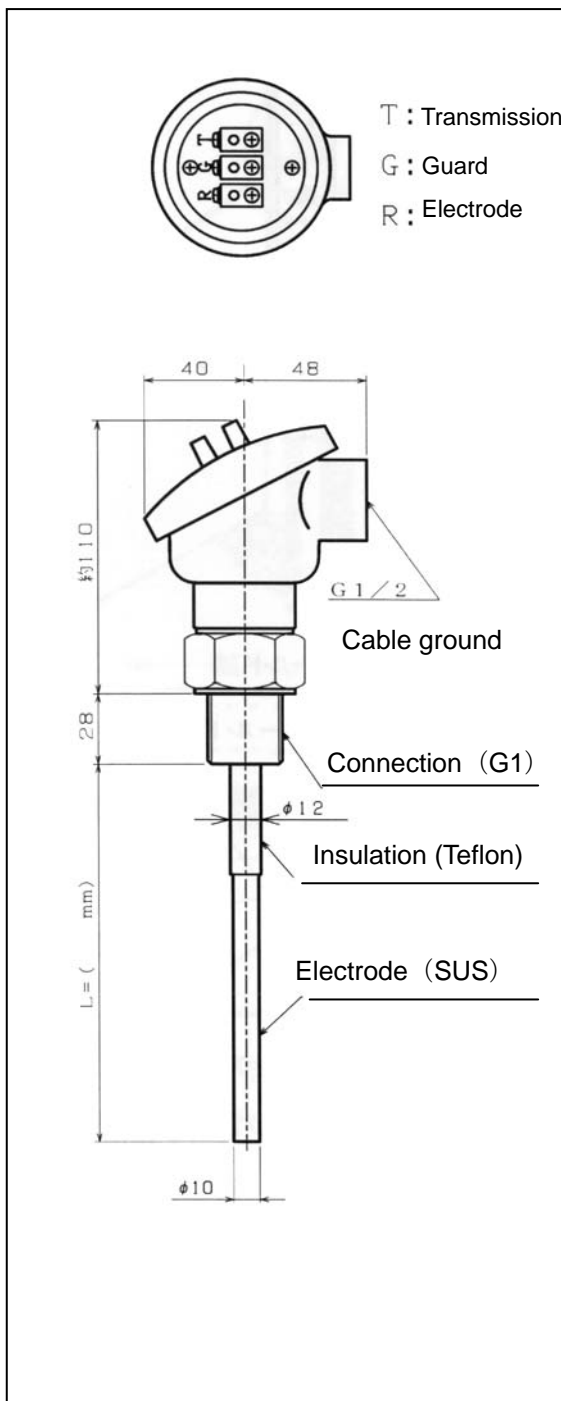


Connecting method for using Mystar MYM3110 with 2 electrode.

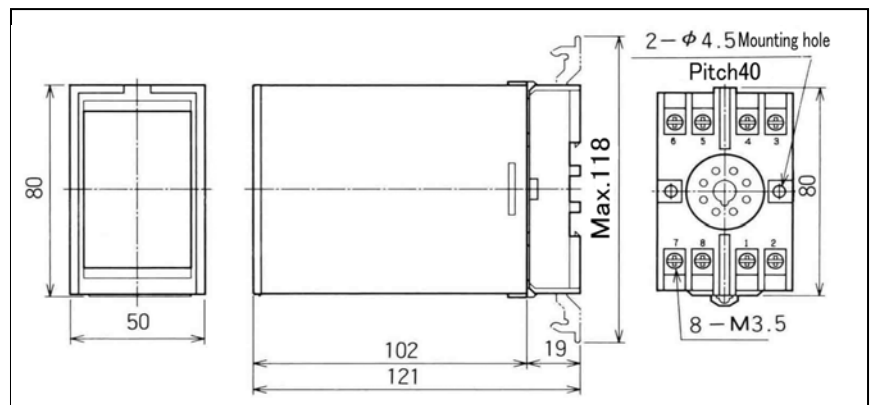


Dimensions

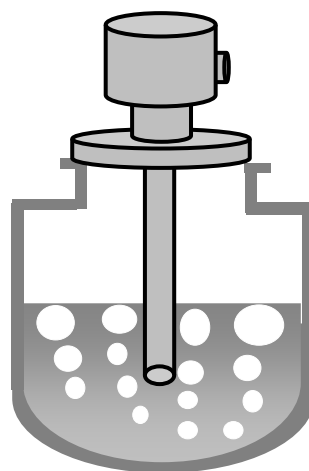
【 Probe 】



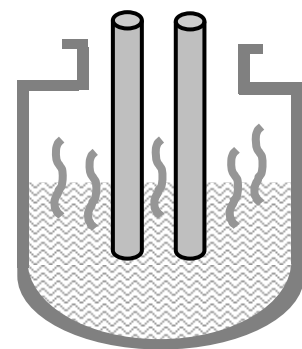
【 Converter 】



[Example] Used for these applications



Liquid nitrogen



Molten glass/molten metal