



**5 contacts alarm setter  
(with output power supply)**

# MYCOMBI

MYCOMBI

MKP3105

## Feature

1. Equipped with 5 external contacts for warning.
2. Setting can be configured easily by using digitally indicated Input.
3. Built-in DC24V Power Unit.
4. 0~100% can be displayed and set by using the capacity value.
5. Built-in Simulated Signal System enables operation verification.

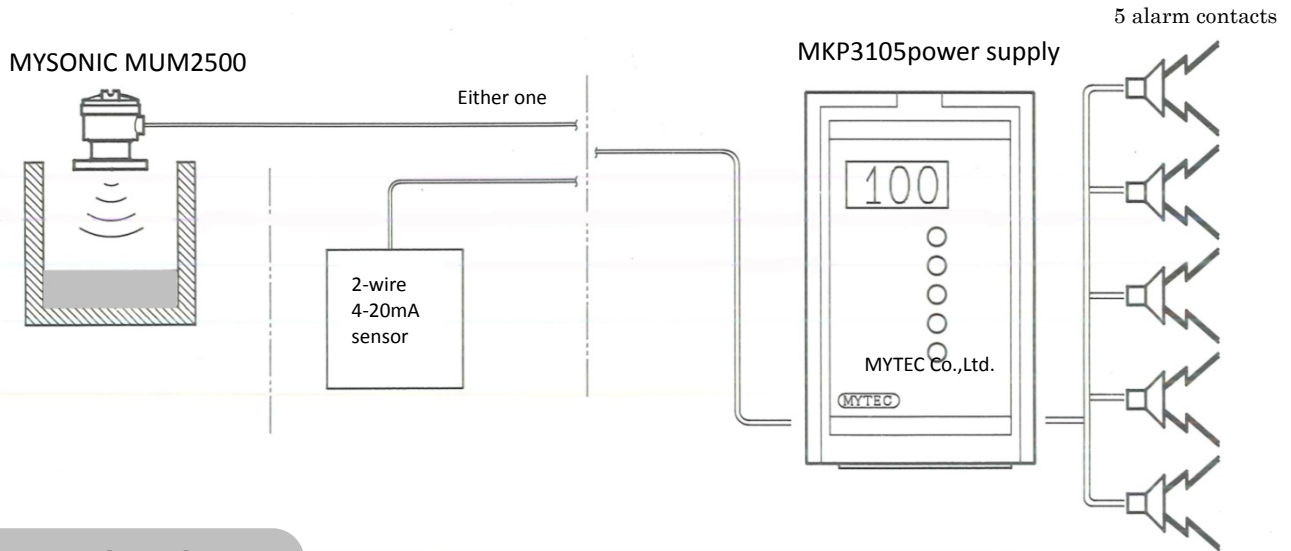
## MKP3105 Specs

Model No.	MKP3105
Function	5 contacts alarm setter (+DC power supply)
Model No.	MKP3105
Input	4-20mA (input impedance 250Ω)
Analog input	1-5V (load resistance 200KΩ or above)
Contact output	Common A contact × 5 (with mode switch)
Contact capacity	AC 250V, 3A 250VA (5 contacts total 5A or less)
Alarm setting	Digital instruction 3 and half digits, and volume
Alarm setting accuracy	±0.5%
Set resolution	0.1%
Hysteresis	約0.5%
Power supply	DC24V 40mA (including output signal)
Terminal block	11P
Protective structure	IP30
Protective structure	-20°C ~ +40°C
Weight	Approx. 500g
Power supply voltage	AC100V. ±10% 50/60Hz (200V also available)
Power consumption	Approx. 45VA

## MKP3000 Series Model/Code Table

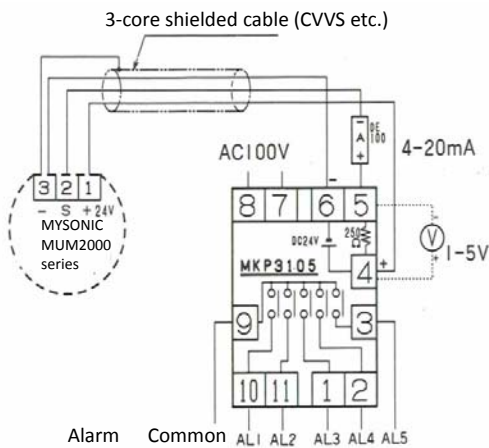
Spec. code			Remarks
M K P 3			
Power supply	1		DC24V, 40mA
Contacts configuration	0		Max. 5 independent contacts
	*	1	1 pump control + 4 independent contacts
Output (number of alarms)	0		4-20mA (750Ω isolated)
	5		5 alarm contacts (common)
Power supply		No entry	AC100V
	*	-2	AC200V
	*	-5	DC24V

## Combinati

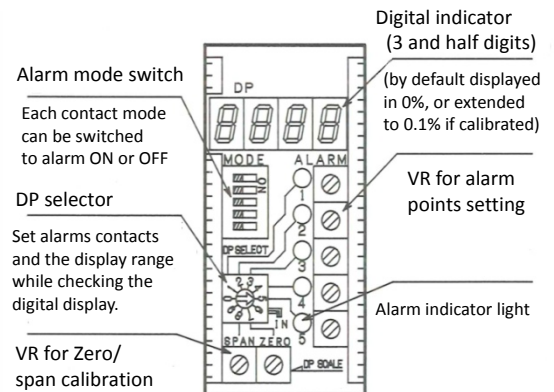
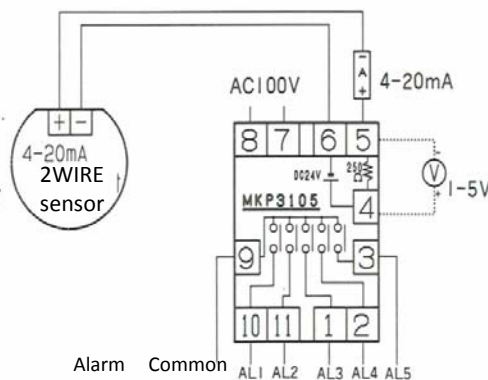


## Connection diagram

### 1. Combination with MYSONIC



### 2. Combination with 2-wire 4-20mA sensor



## Converter

